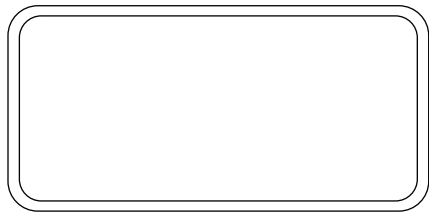




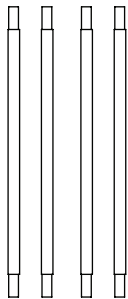
Have questions?

Visit sparkgrills.com/assembly for video instructions. Or, feel free to call or text us at **720.713.7526**. We're here to help, any time.

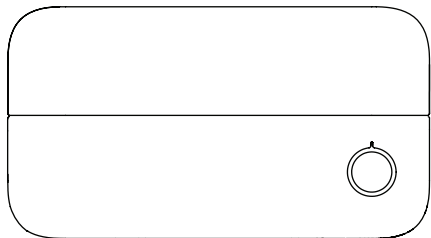
PARTS



A Cart Base



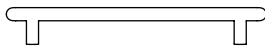
B Cart Posts (4)



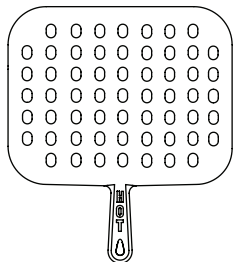
C Kettle



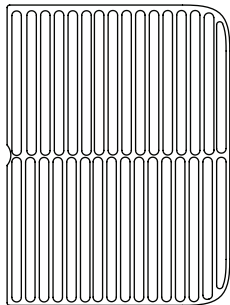
D Cart upper



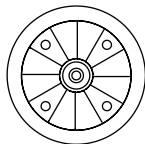
E Handle



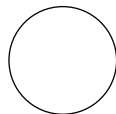
F Briq Pan



G Grates (2)



H Wheels (2)



I Hubcaps (2)



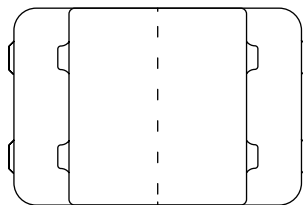
J Cart Mounting Screws (4)



L Button Head Screws (2)



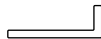
M Shoulder Bolts (2)



K Heat Spreader



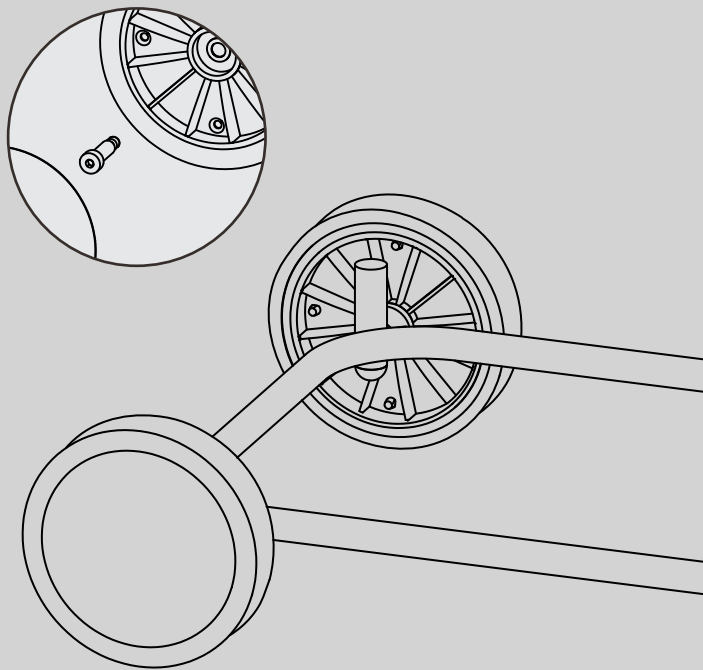
N Power Cord



O Small Allen Wrench



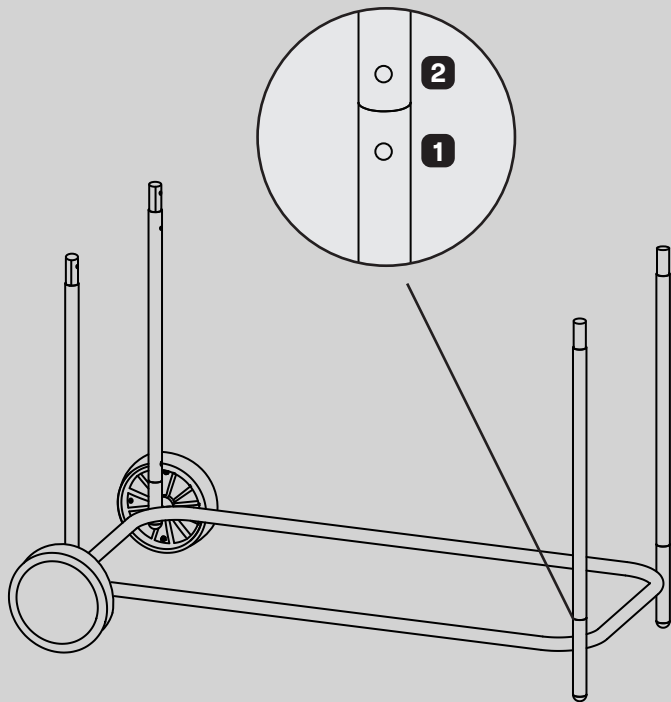
P Large Allen Wrench



Use the shoulder bolts (M) and the large allen wrench (P) provided to install the wheels (H) into the threaded inserts on the cart base (A).

Then, attach the hubcaps (I) to the outside of the wheels by simply clipping them into place.

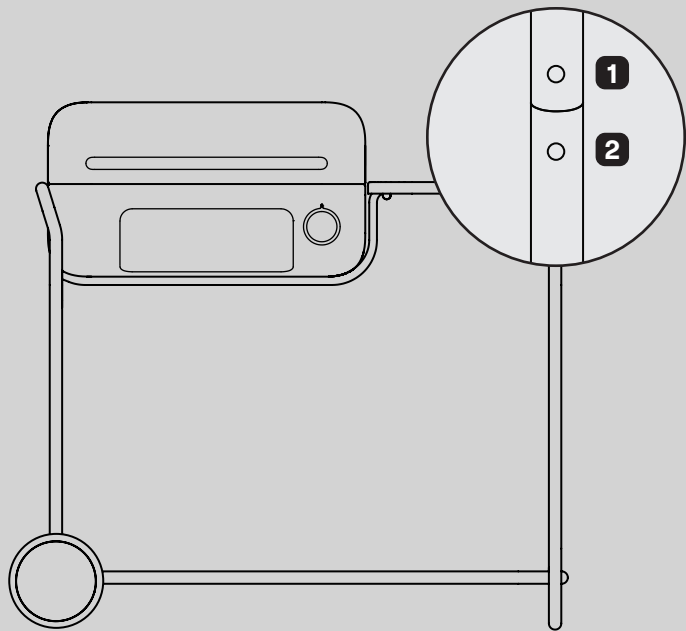
01



Install all 4 cart posts (B) onto the cart base (A) and align the holes. To secure each post in place, insert the small allen wrench (O) into the lower hole and twist clockwise until tight. Once the lower screw (1) is secured, tighten the upper screw (2).

Repeat to secure all the cart posts.

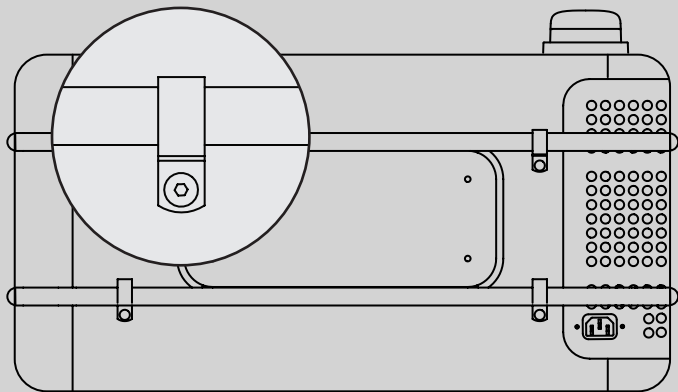
02



Without removing the kettle (C) from the cart upper (D), lift it onto the assembled base. Place the kettle on the same side as the wheels.

Secure each cart post (B) by inserting the small allen wrench (O) in the upper hole (1) and twisting clockwise. Next, tighten the lower screw (2).

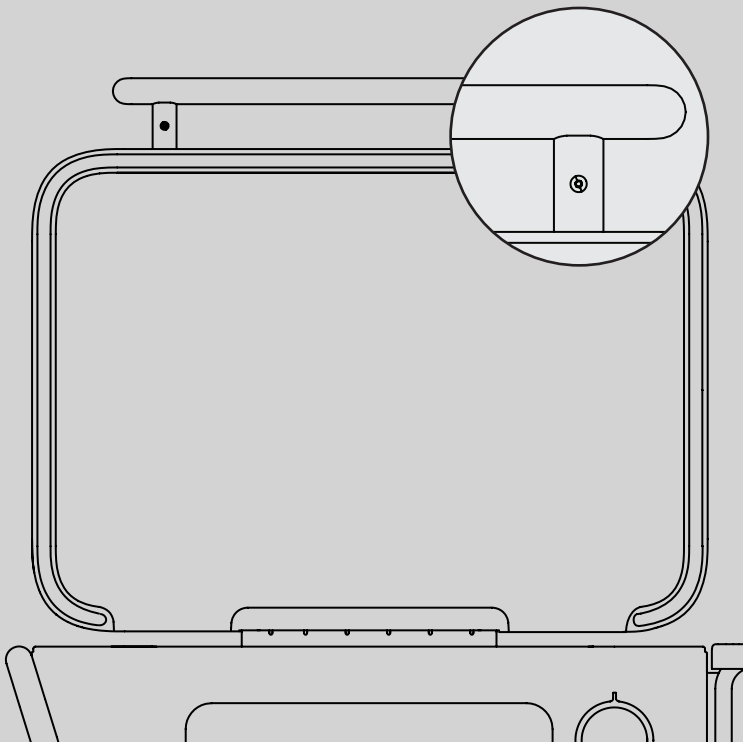
03



Loosen the cart mounting screws (J) from the p-clamps underneath the kettle (C). Tear away the padding between the kettle and cart. Align the kettle so the 4 p-clamps line up with the threaded holes.

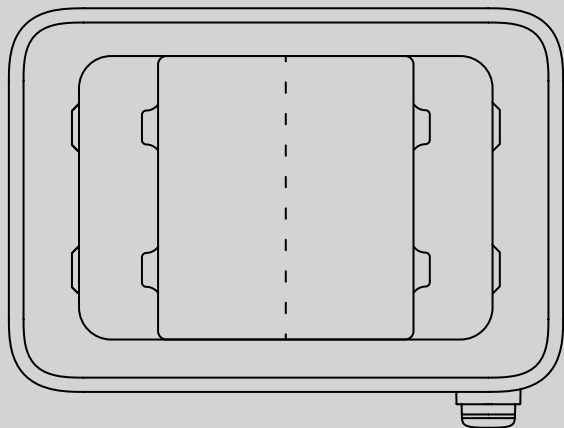
To fasten the kettle to the cart, you can install the cart mounting screws with the small allen wrench.

04



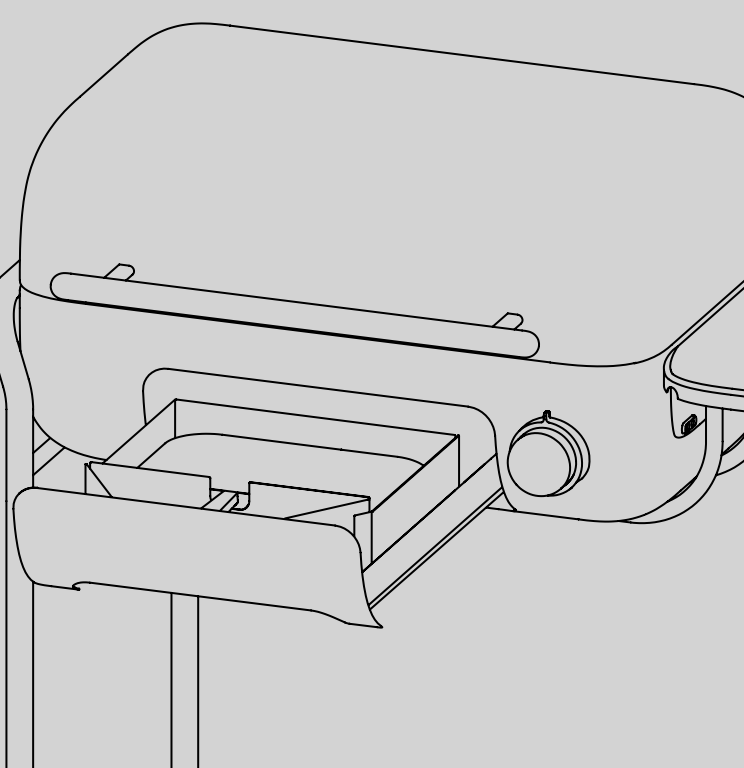
Install the handle (E)
using two button head
screws (L) with the
screws facing down.

05



Install the heat spreader (K) for everyday grilling.

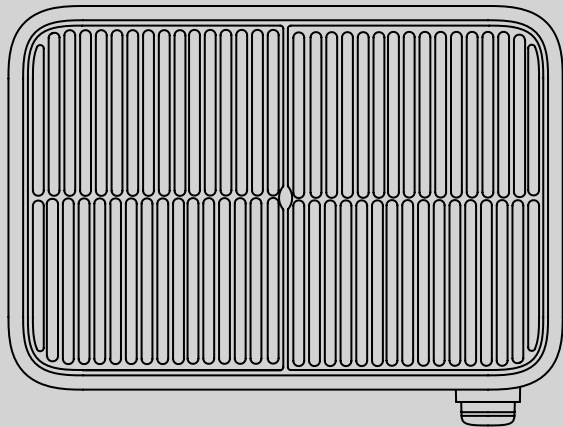
The heat spreader helps provide the largest direct heat cooking area, and a more gradual heat differential between the center and edges of the grill. See the User Manual for more information and alternate configurations.



Place the Briq pan (F) into the drawer.

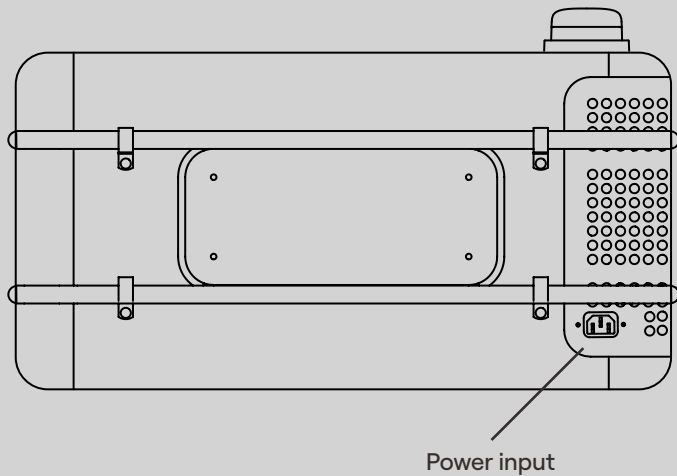
07

Place the grates (G) into the kettle with the flat surface facing up.

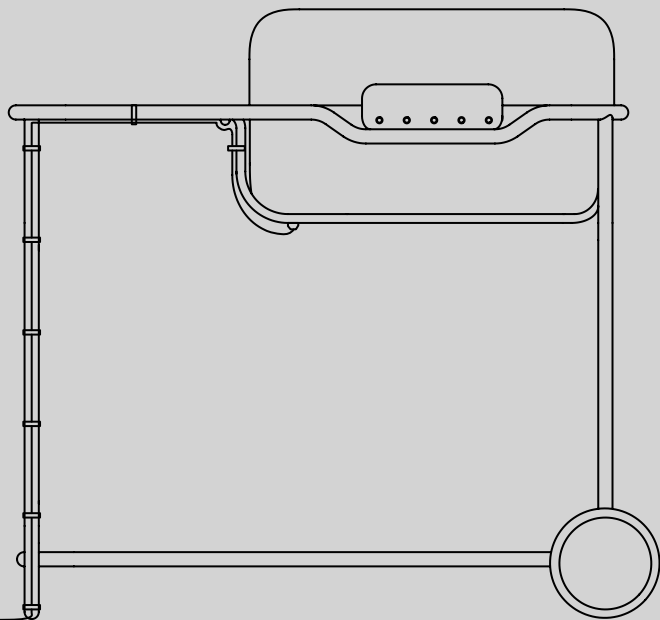


08

Plug in the power cord (N)
on the underside of
the kettle.

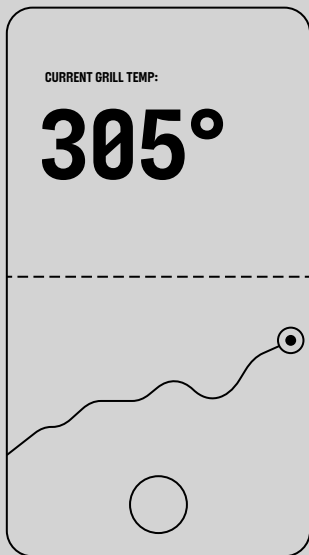


09



Using the clips on the back of your grill, secure the power cord (N) along the back of the side table and down the leg of the cart.

10



Download the Spark Grills app, available on the App Store and Google Play. Create an account and connect your Spark for instant Briq re-ordering, real-time temperature notifications, food probe monitoring and more.



11

SPARK

Assembly Guide